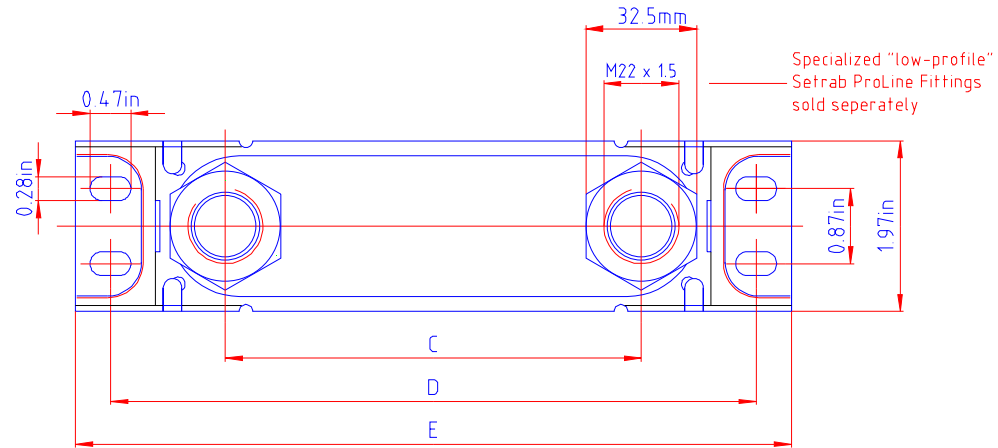
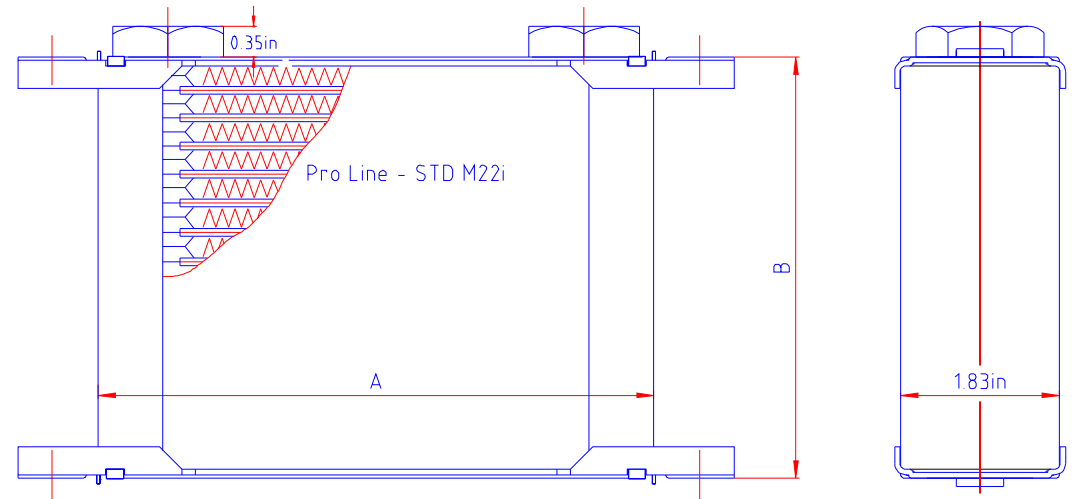


Pro Line - STD

Part No. and dimensions for Pro-Line STD oil coolers

Part No.	TYPE	A	B	C	D	E
50-107-7612	107	6.42	2.09	4.80	7.48	8.27
50-110-7612	110	6.42	2.99	4.80	7.48	8.27
50-113-7612	113	6.42	3.94	4.80	7.48	8.27
50-116-7612	116	6.42	4.80	4.80	7.48	8.27
50-119-7612	119	6.42	5.75	4.80	7.48	8.27
50-125-7612	125	6.42	7.60	4.80	7.48	8.27
50-144-7612	144	6.42	13.53	4.80	7.48	8.27
50-150-7612	150	6.42	15.31	4.80	7.48	8.27
50-160-7612	160	6.42	18.31	4.80	7.48	8.27
50-172-7612	172	6.42	22.13	4.80	7.48	8.27
50-607-7612	607	11.14	2.09	9.53	12.20	12.99
50-610-7612	610	11.14	2.99	9.53	12.20	12.99
50-613-7612	613	11.14	3.94	9.53	12.20	12.99
50-616-7612	616	11.14	4.80	9.53	12.20	12.99
50-619-7612	619	11.14	5.75	9.53	12.20	12.99
50-625-7612	625	11.14	7.60	9.53	12.20	12.99
50-634-7612	634	11.14	10.39	9.53	12.20	12.99
50-640-7612	640	11.14	12.20	9.53	12.20	12.99
50-650-7612	650	11.14	15.31	9.53	12.20	12.99
50-660-7612	660	11.14	18.31	9.53	12.20	12.99
50-910-7612	910	14.09	2.99	12.48	15.16	15.94
50-915-7612	915	14.09	4.53	12.48	15.16	15.94
50-920-7612	920	14.09	6.06	12.48	15.16	15.94
50-925-7612	925	14.09	7.60	12.48	15.16	15.94
50-934-7612	934	14.09	10.39	12.48	15.16	15.94
50-948-7612	948	14.09	14.70	12.48	15.16	15.94



TOLERANCE CLASS-ISO 2768-v	0.2in up to 12in	over 0.12in up to 0.27in	over 0.27in up to 0.18in	over 0.18in up to 0.472in	over 0.472in up to 15.74in	over 15.74in up to 39.37in
PERMISSIBLE DEVIATIONS FOR LINEAR DIMENSIONS EXCEPT FOR BROKEN EDGES. (inches)	-	± 0.02in	± 0.04in	± 0.06in	± 0.10in	± 0.16in

WEIGHT	FMS/TURB	C/4							
VOLUME	DRAWN	DATE/SIGN					AL		
WORKING PRESSURE	145PSI	Dynamical	112610	MCB	POS NO	QTY	DENOMINATION	MATERIAL	DIMENSION
MAX PRESSURE	174PSI		APPROVAL	DATE/SIGN	ALL MEASUREMENTS REFER TO UNPAINTED OBJECT				TOLERANCES WHERE NOT SPECIFIED
TEST PRESSURE	58PSI		ENGINEER		DENOMINATION				ISO 2768-v
BURST PRESSURE			QUALITY		STDM22i				REPLACES
TEST ACC TO			PROD		OILCOOLER				SCALE
PAIN	BLACK EPOXY		LOGISTICS		Setrab Oil Coolers				REPLACED BY
PAIN THICKNESS	100µm ± 30µm		CUSTOMER	Pro Line	DRAWING NO				CONNECTED DRAWINGS
CONNECTION MAX TIGHTENING TORQUE	29.5lbs-ft				Setrab				ISSUE
COUNTERACTING SPANNER MUST BE USED WHEN TIGHTENING CONNECTIONS				Centerburg, OH USA Tel +1(714) 629-6228 Fax +1(714) 629-6268 www.setrabusa.com				Pro Line - STD	